

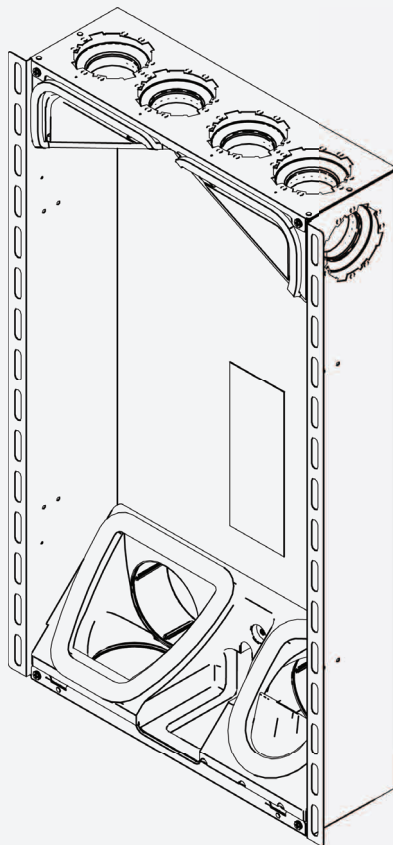
BRINK

Air for life

Installation instructions

Ease 100 in-wall housing

English



Installation instructions

Ease 100 in-wall housing



Store near the appliance

This appliance may be used by children as of 8 years of age, persons with reduced physical or mental capacities, and persons with limited knowledge and experience if they are supervised or have received instructions on how to use the appliance safely and are aware of the possible dangers. Children younger than 3 years of age must be kept away from the appliance, unless they are under constant supervision. Children between the ages of 3 and 8 may switch the appliance on or off, but only if supervised or if they have received clear instructions on the safe use of the appliance and understand the possible dangers, on the condition that the appliance has been placed and installed in the normal position for use. Children between the ages of 3 and 8 may not insert the plug into the socket, nor clean or make changes to the settings of the appliance, nor carry out any maintenance on the appliance that would normally be carried out by the user. Children may not play with the appliance.

If you need a new power cable, always order the replacement from Brink Climate Systems B.V. To prevent dangerous situations, a damaged mains connection must only be replaced by a qualified expert!

Country: GB

1 About this document

- ▶ 1. Before starting work on the product, read this document.
- ▶ 2. Comply with the specifications in this document.

Failure to observe the instructions in this document will invalidate the warranty claim against the manufacturer.



1.1 Safekeeping of this document

The operator is responsible for the safekeeping of this document.

- ▶ 1. Hand this document over to the operator after the installation of the product.
- ▶ 2. The document must be kept in a suitable location and must be available at all times.
- ▶ 3. The document must be included if the product is passed on to a third party.





1.2 Symbols

The following symbols are used in this document:

Symbol	Meaning
1.	Steps are numbered
✓	A necessary requirement
⇒	The outcome of an action
	Important information regarding proper use
	A reference to other relevant documents


1.3 Warnings

Warnings in the text warn you of possible risks before the start of an instruction. The warnings provide you with information on the possible severity of the risk using a pictogram and a keyword.

Symbol	Keyword	Explanation
	DANGER	This means that there is a risk of serious injury or loss of life.
	WARNING	This means that there is a potential risk of serious injury or loss of life.
	CAUTION	This means that there is a potential risk of minor to moderate injury.
	NOTE	This means that material damage may occur.

Layout of warnings

These warnings are laid out as follows:

-  **KEYWORD**
 - Type and source of risk
 - Explanation of the risk.
 - ▶ Action to prevent the risk.

1.4 Abbreviations

SUP	Supply air
EHA	Exhaust air
ETA	Extract air
ODA	Outdoor air

2 Safety

2.1 Intended use

The product is only suitable for in-wall installation in combination with Ease 100.

2.2 Incorrect use

Any use other than the intended use is not permissible. Any other use or changes to the product at any time including during fitting and installation invalidate all warranty claims. The user has sole liability for such use. Misusing the product (e.g. climbing on it, using it for storage or suspending objects from it, etc.) is not permitted.

This product is not intended to be operated by persons (including children) with restricted physical, sensory or mental capacities or who lack the necessary experience and/or knowledge, unless they are supervised by a person responsible for their safety or have received instructions on how to use the product from this person.

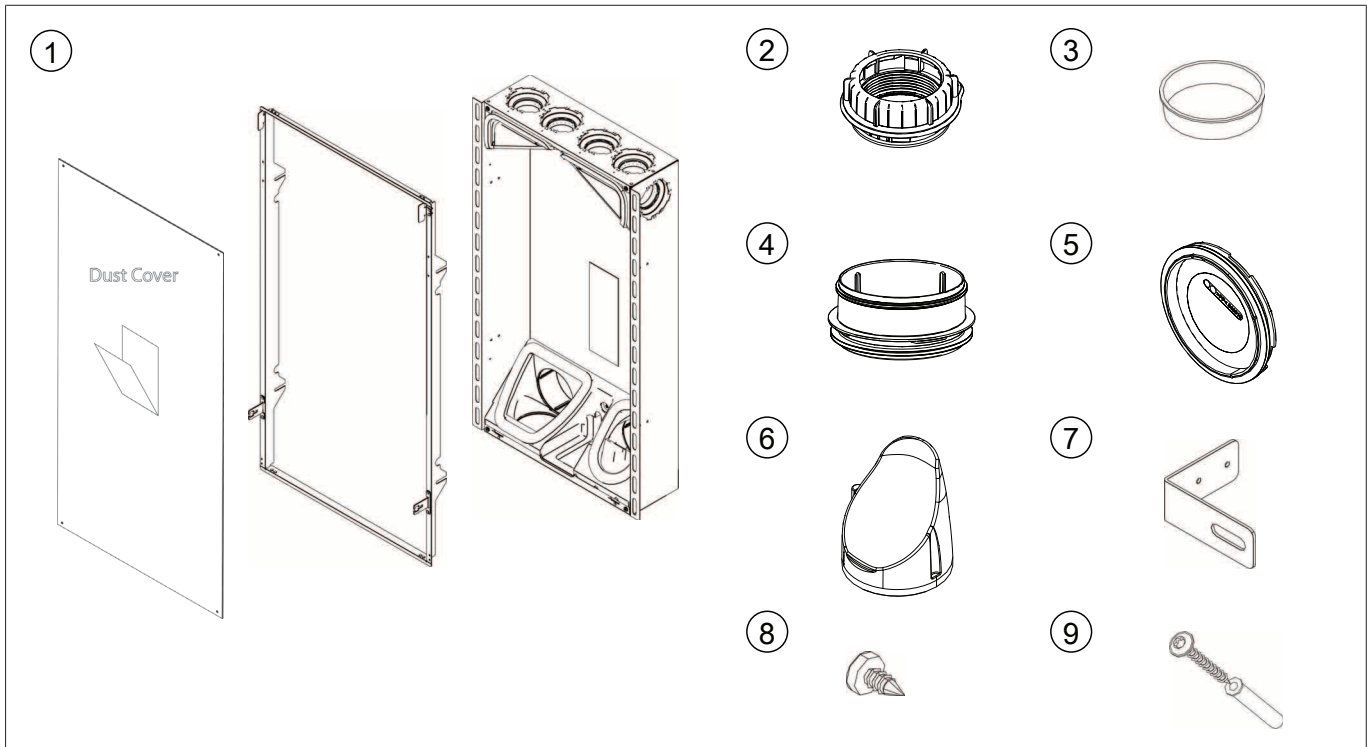
Do not embed the product in concrete. The product is not intended for ceiling mounting or on-wall mounting.

2.3 Safety measures

1. Never remove, bypass or otherwise disable any safety or monitoring equipment.
2. Only operate the product if it is in perfect technical condition.
3. Immediately rectify any faults and damage that impair safety.
4. All faulty components must be replaced with original BRINK spare parts.
5. Wear personal protective equipment.

3 Scope of delivery

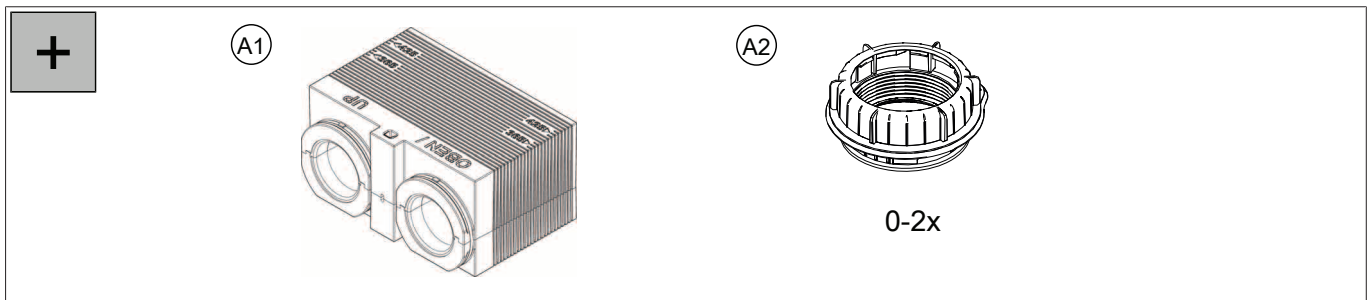
Before installation is started, check that the delivery is complete and undamaged.



- 1 dust cover + plaster frame + in-wall housing
- 3 6x blind cap
- 5 2x lid for DN 125
- 7 4x angle for wall mounting
- 9 4x round washerhead screw 6x50 and dowels for wall mounting

- 2 4x collar DN75 (for multi-room only)
- 4 2x ISO pipe connector DN 125
- 6 airflow diverter
- 8 12x self-tapping screw TX20 4.2X9.5

Accessories

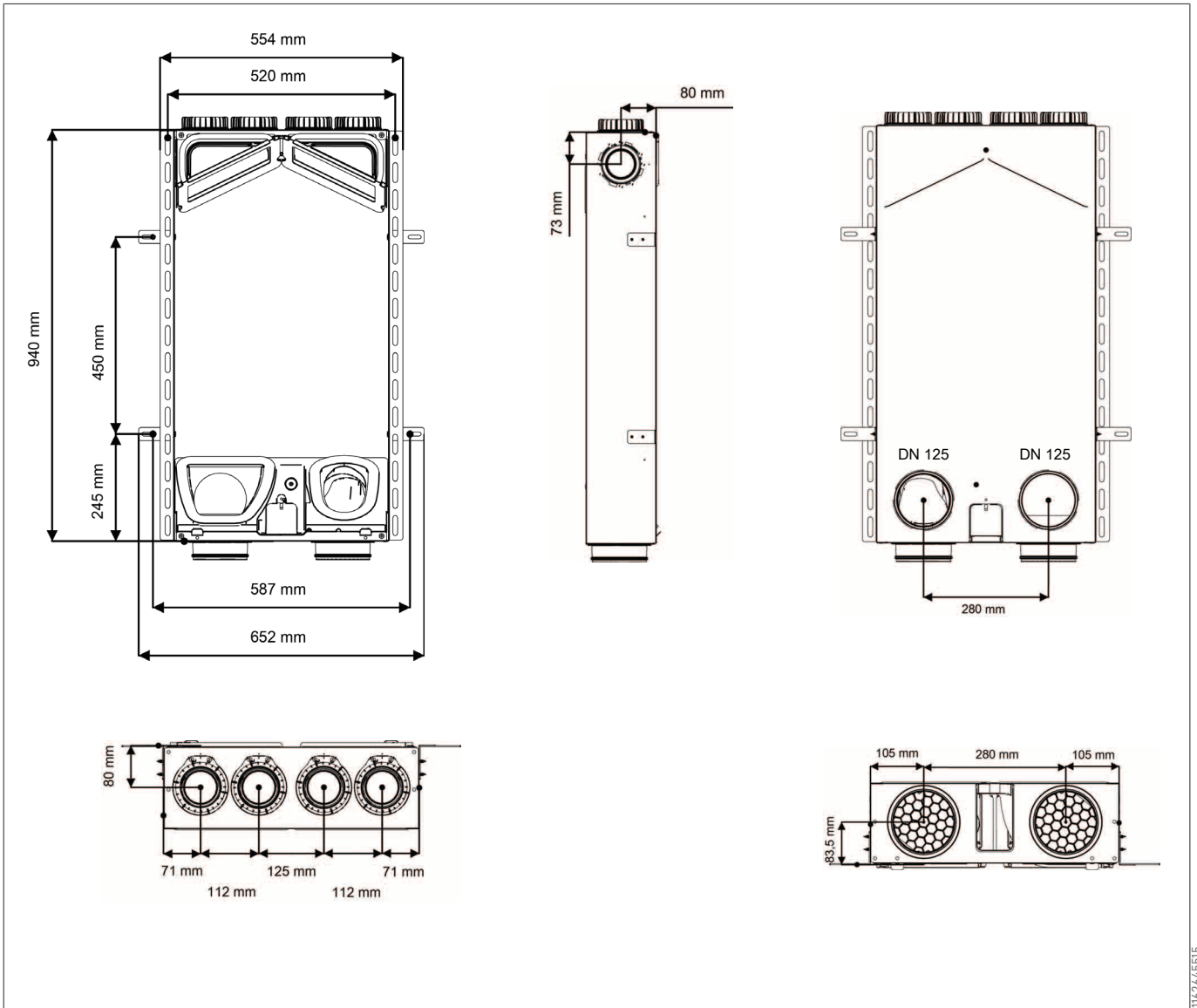


A1 wall block DN 125 (required)

A2 additional collars DN75 (for multi-room only)

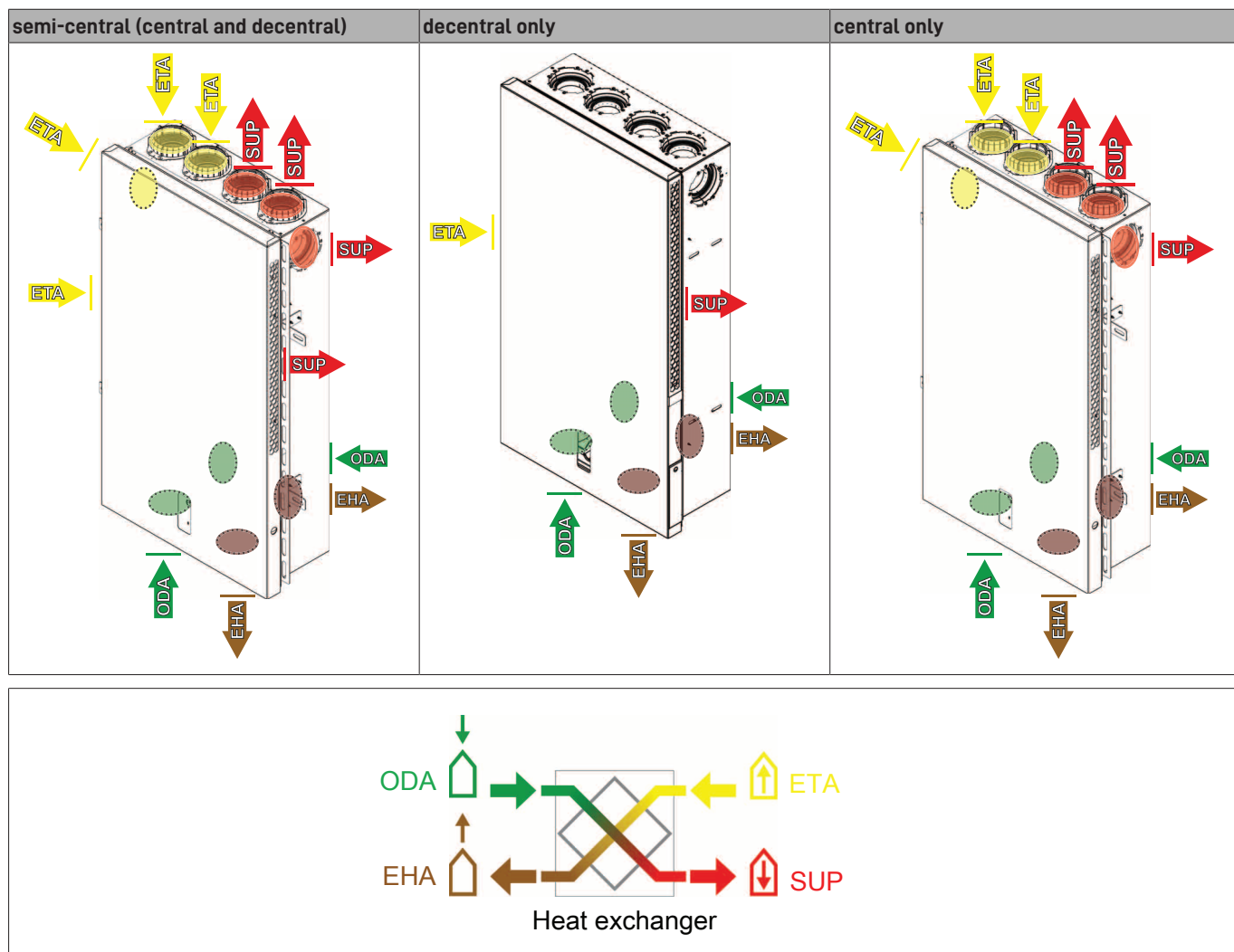
4 Technical Specifications

4.1 Measurement in-wall-case



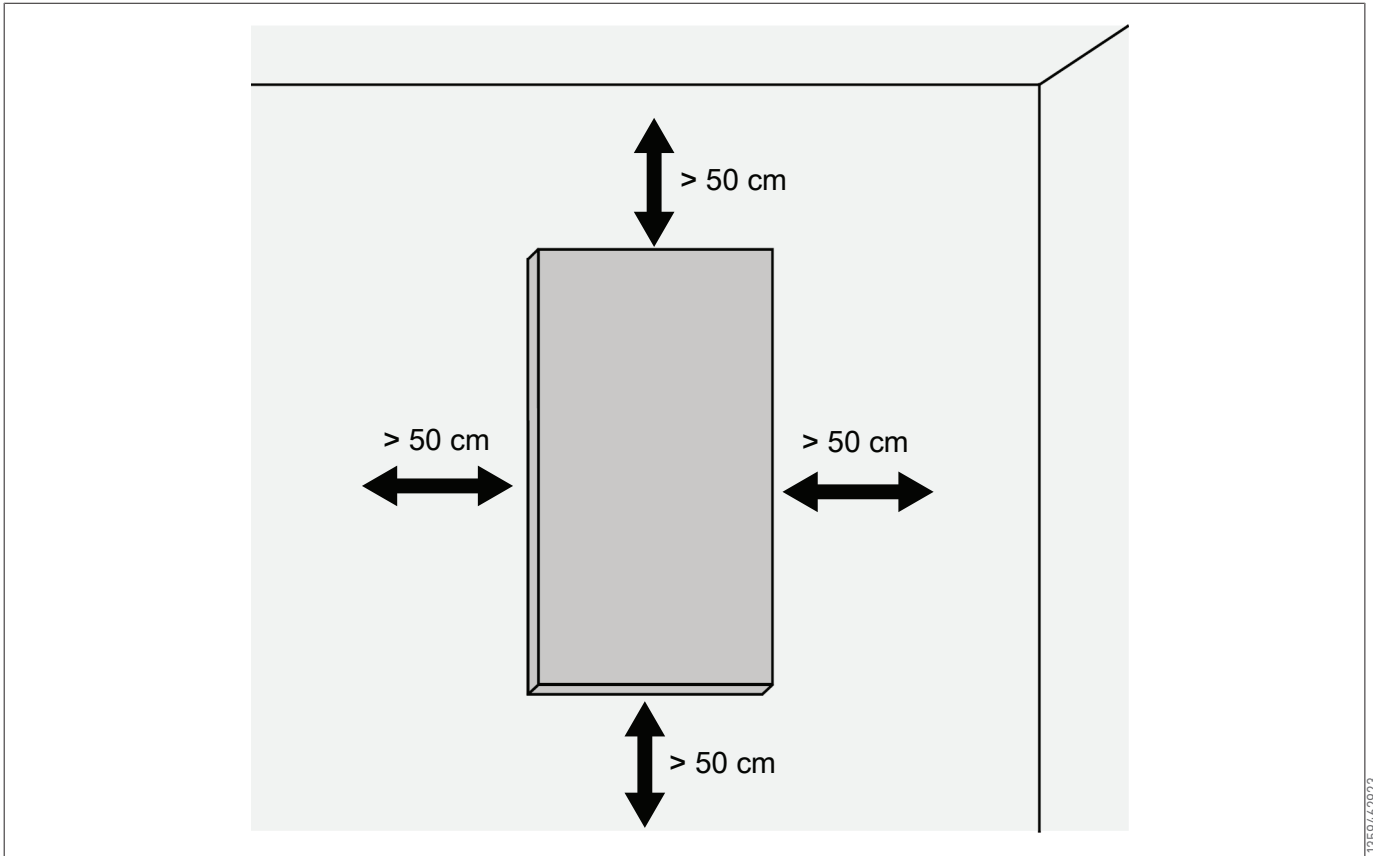
T162645515

4.2 Product versions



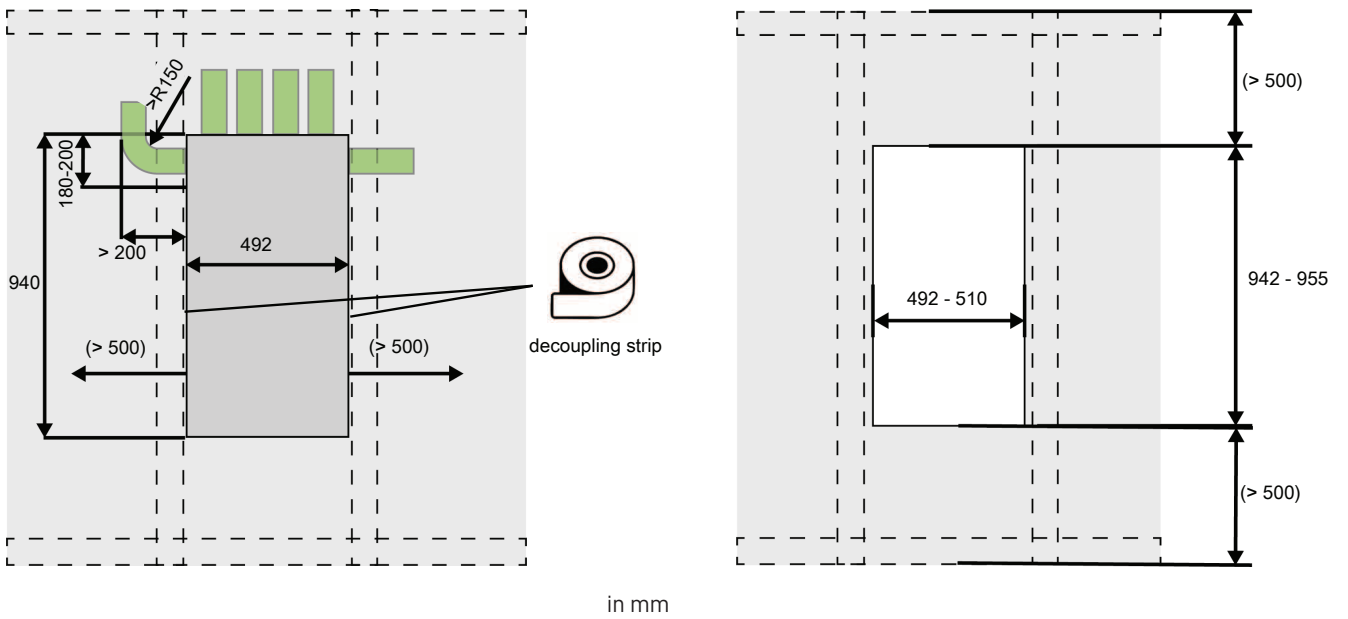
1361523851

4.3 Minimum clearance distance

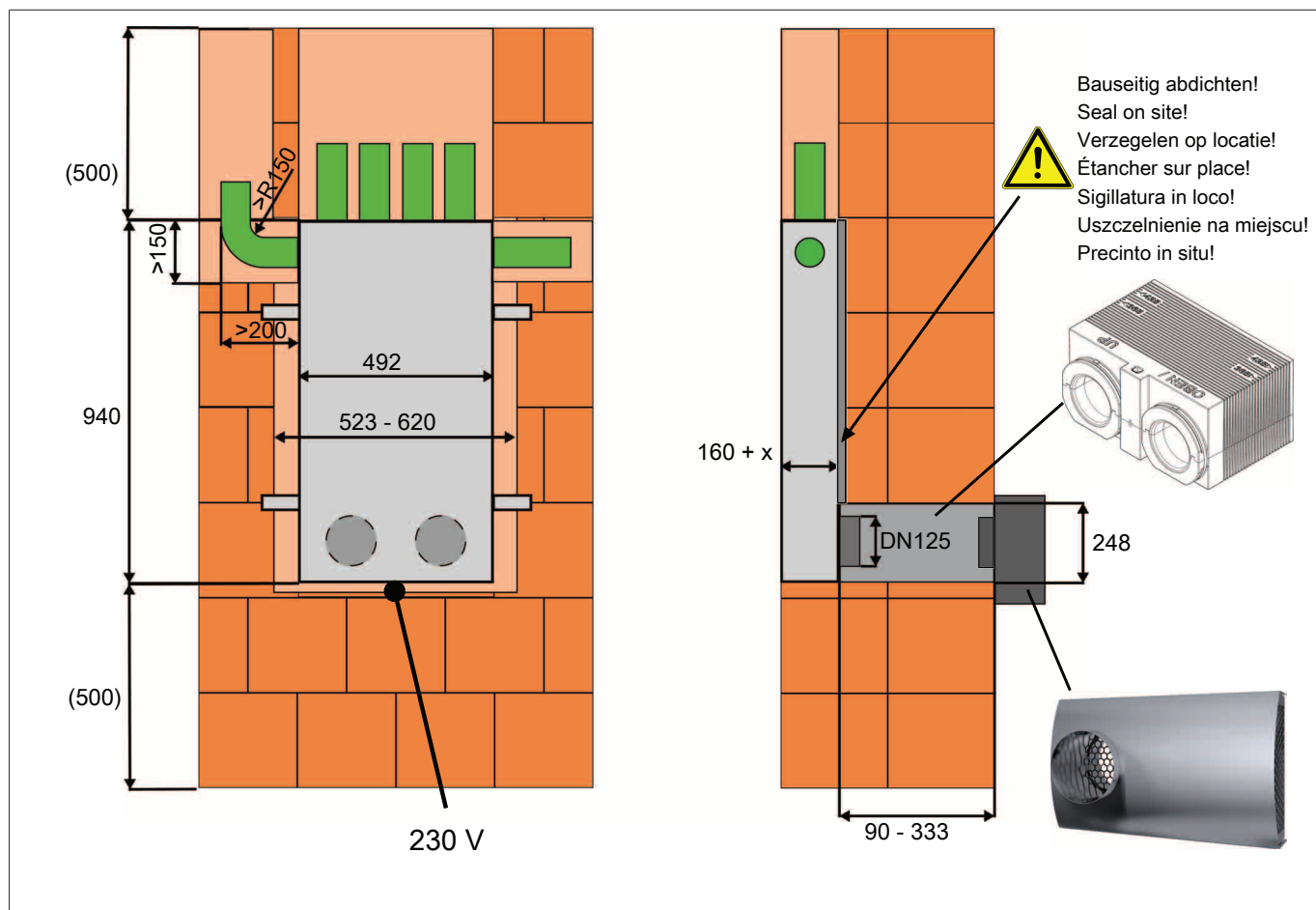


1359462923

4.4 Measurement example: Shell wall



4.5 Measurement example: Brick wall



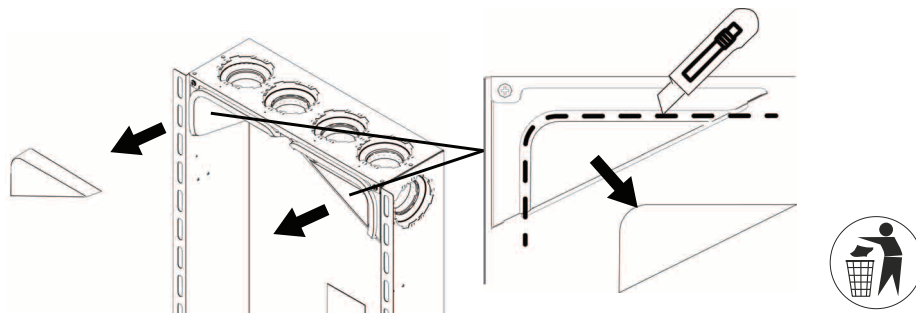
Thermal insulation to the back of the housing may be necessary. Insulation requirements (e.g. thickness) depend on national regulations.

The depth (160 mm) must be increased by the thickness of the insulation (x).

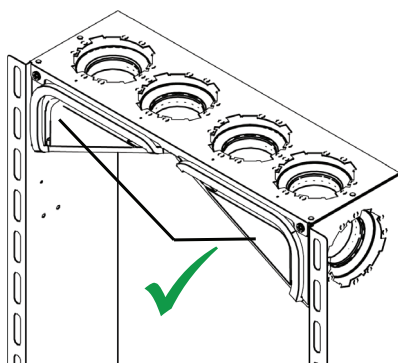
The connection to the external wall must be completed by the client (e.g. plastering)

5 Prepare for central or decentral use

decentral or semi-central use



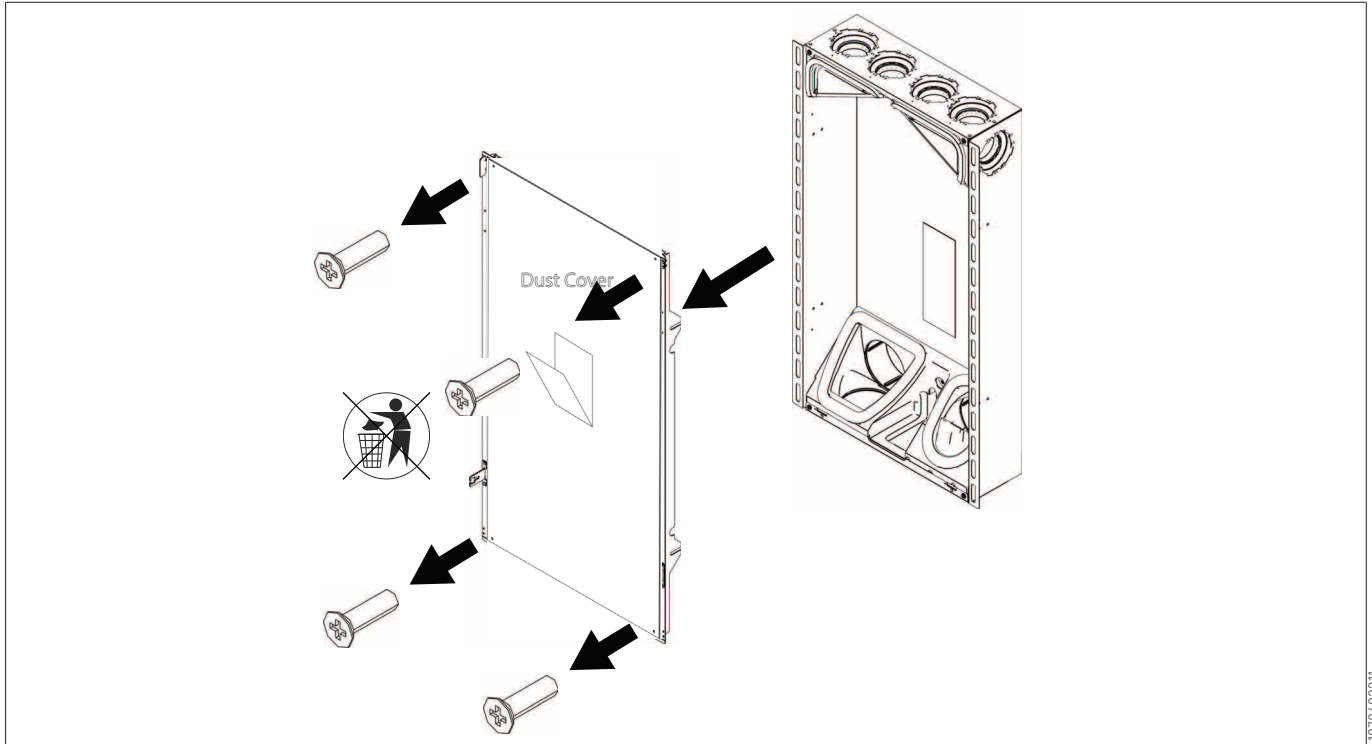
central use only



1079725835

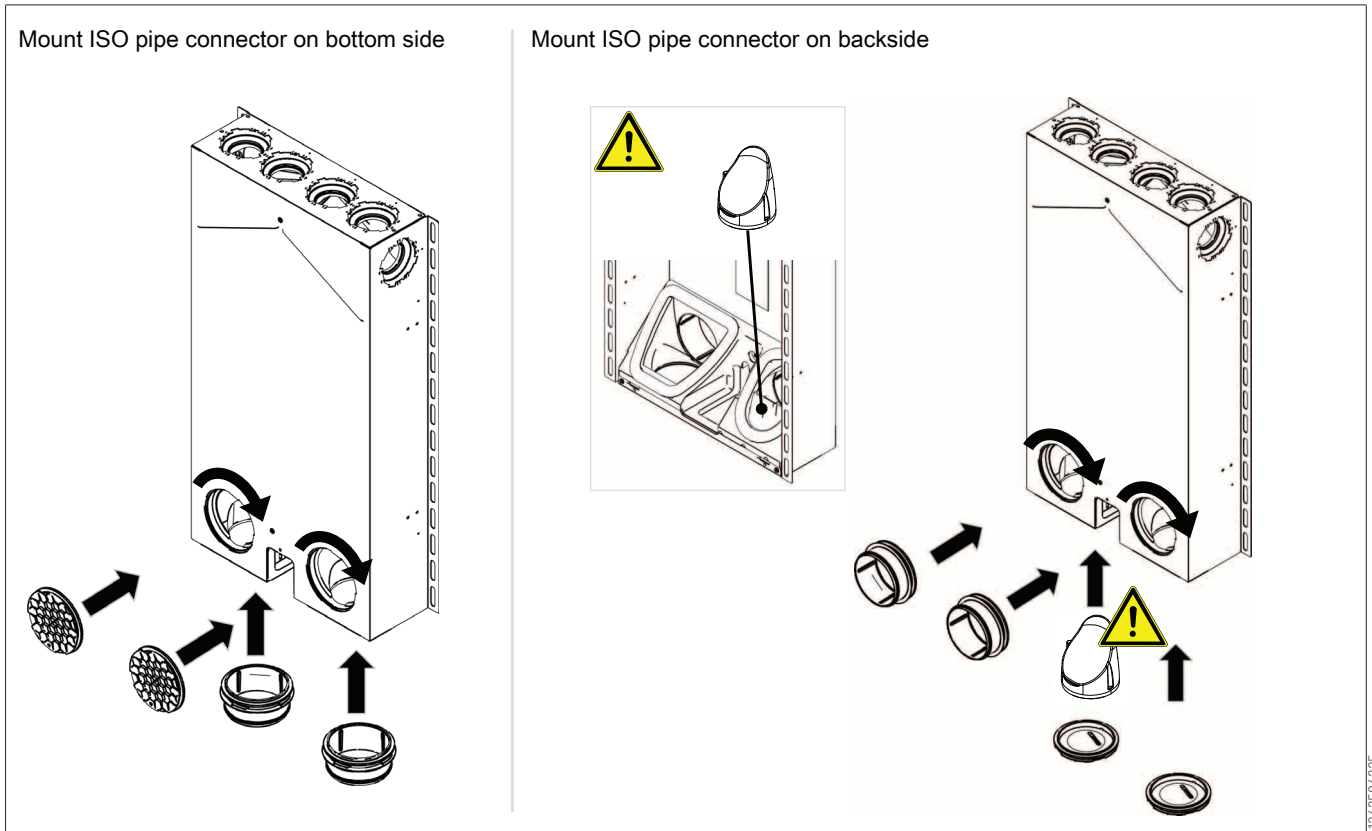
6 Installation of in-wall-housing

1 Removing the plaster frame



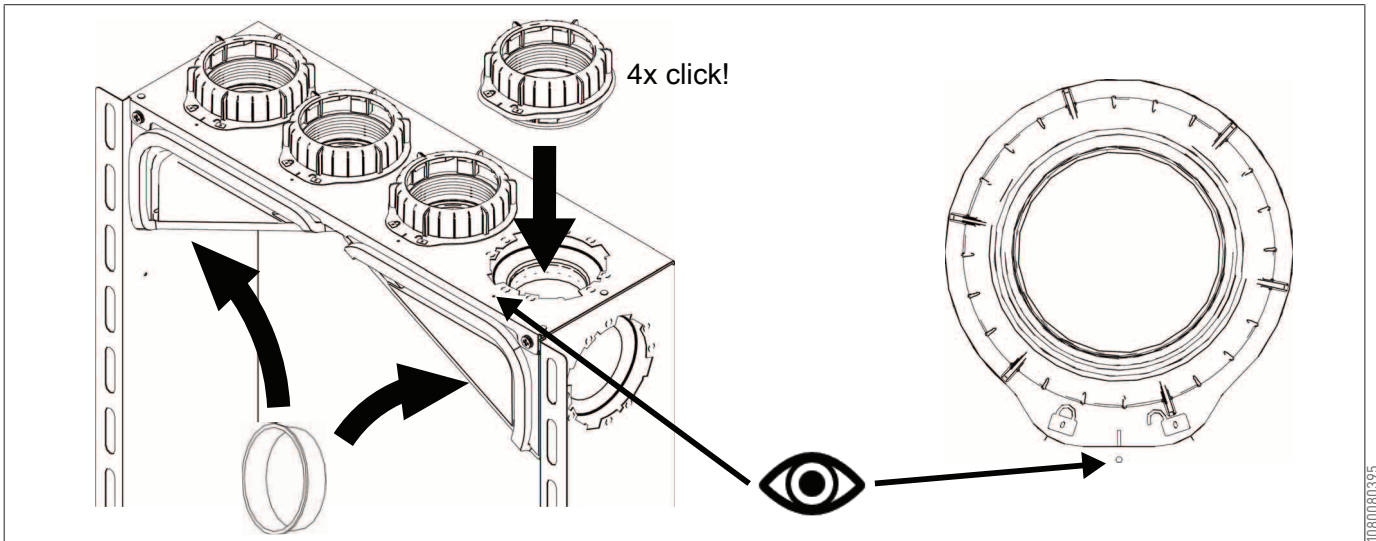
1078403211

2 Installing the ISO pipe connectors

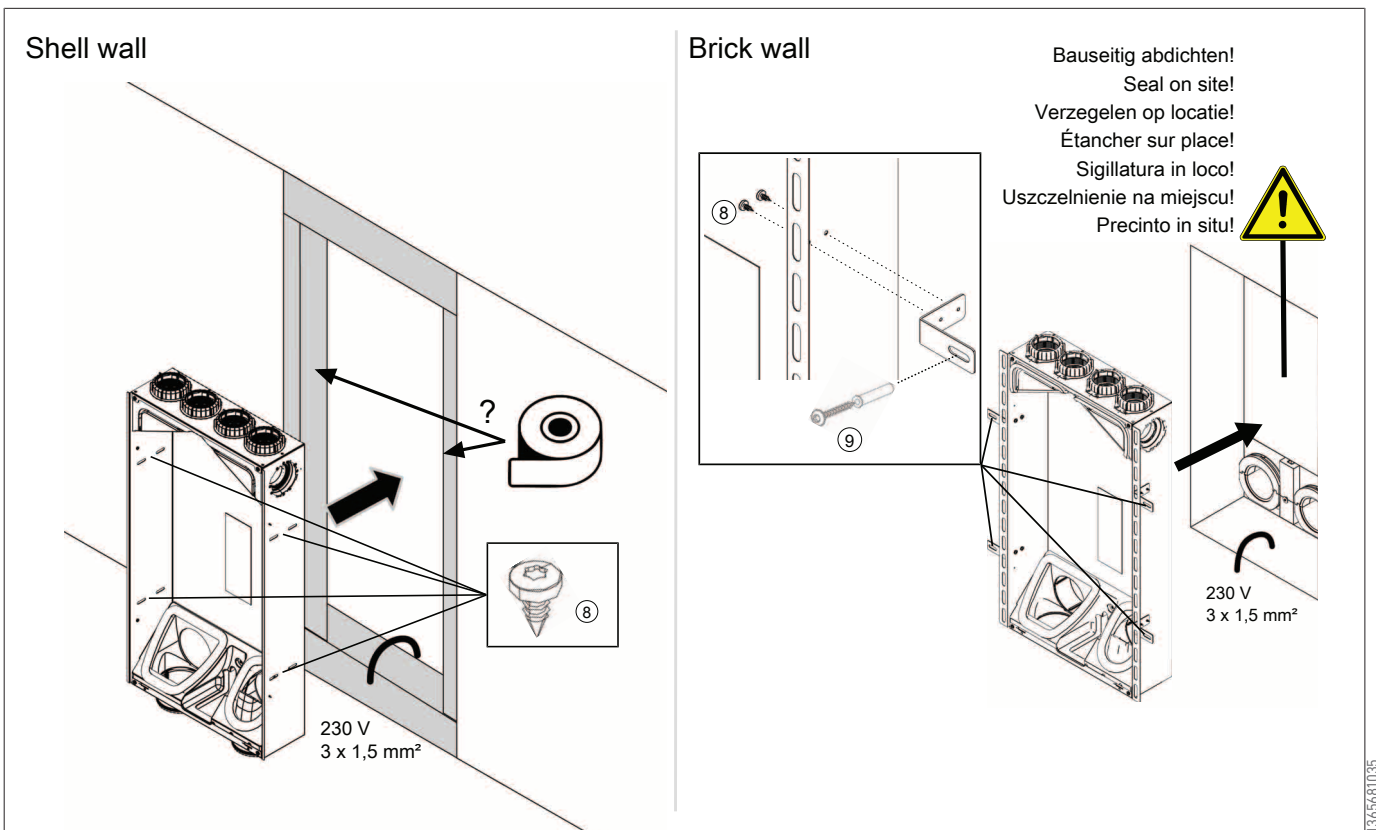


136259235

3 Installing the sockets

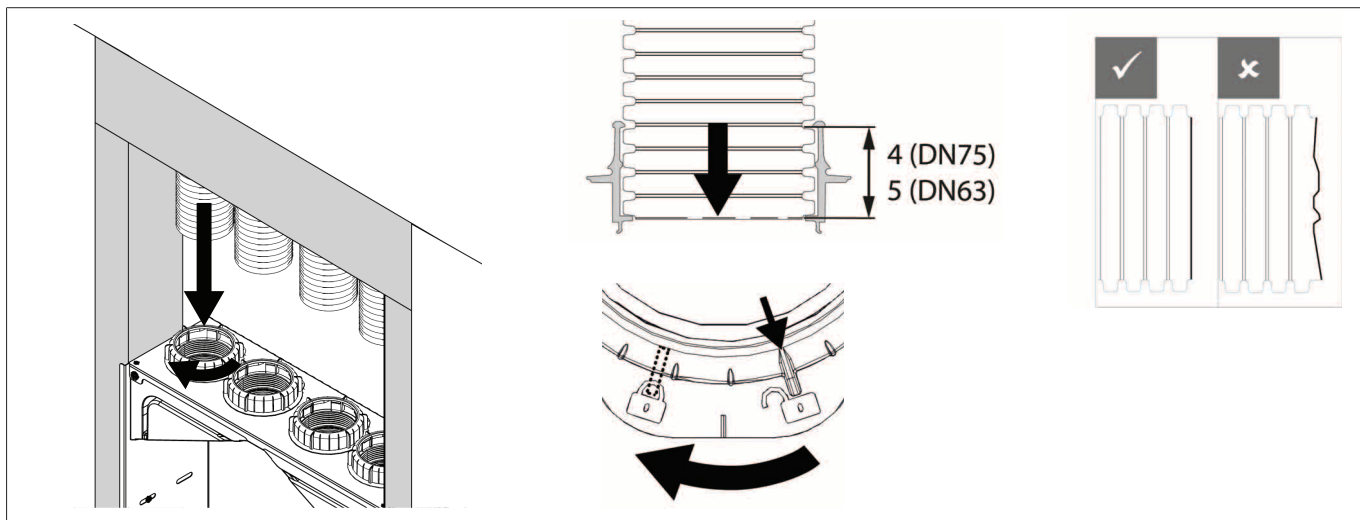


4 Putting the housing into the wall



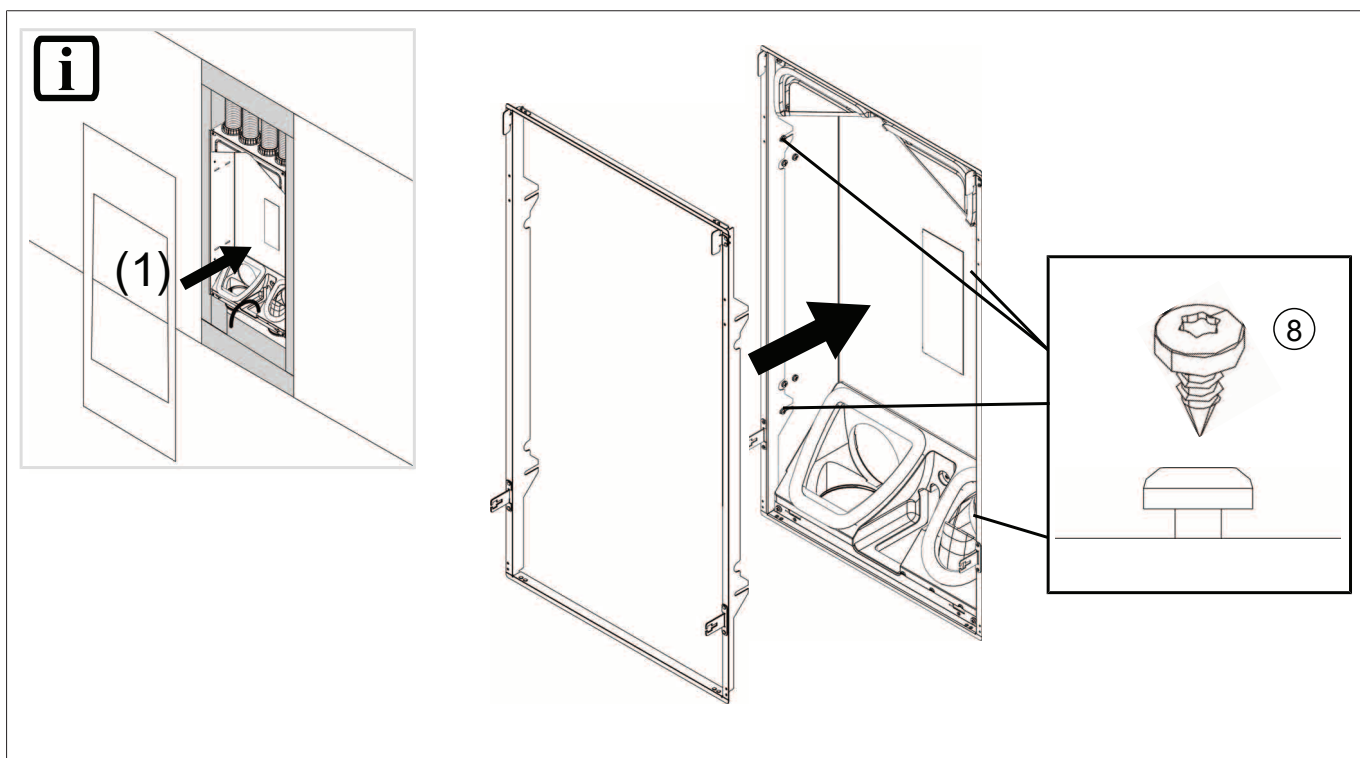
- ▶ 1. For brick wall: Glue insulation on the back of the housing. Observe national regulations! Insulation is not part of the delivery content.
- ▶ 2. For brick wall: Fill any gaps between housing and wall with foam.
- ▶ 3. For shell wall: Place decoupling strips between housing and metal profile.
 - ⇒ Vibrations prevented.

5 Connecting the air ducts



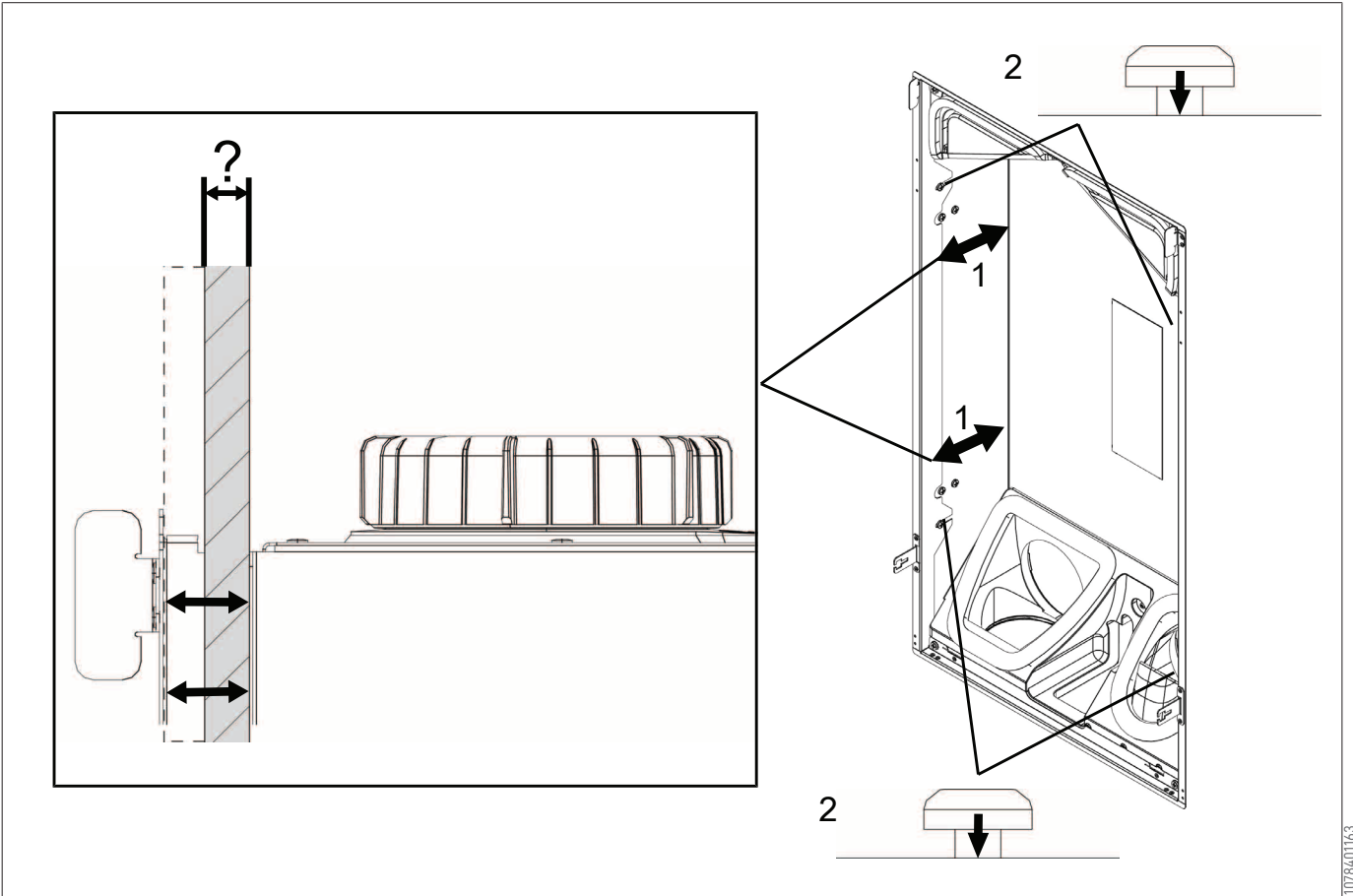
1078406411

6 Mounting the plaster frame



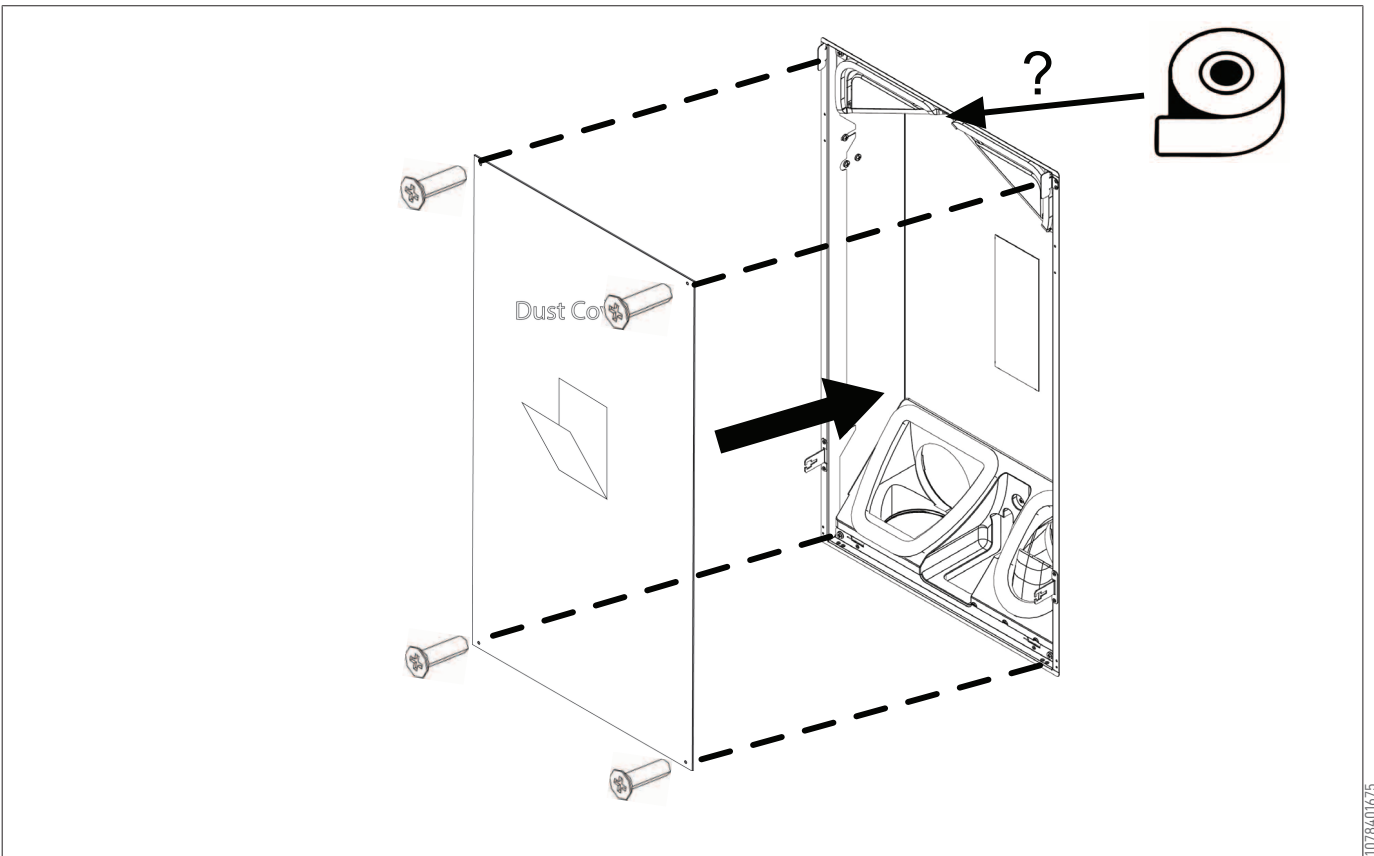
1078406411

7 Adjusting the plaster frame according to wall width



107840163

8 Sealing the housing



107840165



Brink Climate Systems B.V.

Wethouder Wassebaliestraat 8, NL-7951SN Staphorst

T: +31 (0) 522 46 99 44

E: info@brinkclimatesystems.nl

www.brinkclimatesystems.nl